

Higher Precision



Higher Protection Level(IP67)



Higher Speed



Better Price Performance

MB SERIES

SCARA ROBOTS



MB04SC-300



MB04SC-400



MB10SC-500



MB10SC-600



MB10SC-700



MB10SC-800



MB25SC-800



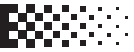
MB25SC-900



MB25SC-1000

MB SERIES

SMALL 6-AXIS ROBOTS



MB04S-580



MB10S-740



MB10S-920

MB SERIES

GENERAL 6-AXIS ROBOTS



MB20-2100



MB35-1870



MB45-1870



MB180-3200



MB210-2650



MB280-2650



MR10C-1488



MR30C-1750



MR10W-1440-D



MR12-2010



MR12Z-1550



MR80E-2250



MR60E-2680



Number of axis	4-axis		Maximum speed	Moving range
Motion radius	800mm	J1 axis S	J1+J2	$\pm 135^\circ$
Power capacity	3.0KVA	J2 axis L	9210mm/s	$\pm 150^\circ$
Max payload	Rated 10KG/Max 25KG	J3 axis U	2020mm/s	420mm
Repeatability	$\pm 0.025\text{mm}$	J4 axis R	720°/s	$\pm 360^\circ$
Robot mass	63KG	Input/Output signals		Standard 16 in/16 out 24 VDC
Built-in air tube	$\phi 8$	Mounting position		Floor



Installation Environment

Temperature	0-45°C	Humidity	20~80%RH(no condensing)	No corrosive or combustible gas, no water, no splashing	No excessive oil or dust
Vibrations	Below 4.9M/S2 (0.5G)	Altitude	Below 1000M	Away from electromagnetic source	Away from magnetic field

Control cabinet specifications

Overall dimension	386(width)*445(depth)*225(height)mm (no protrusions)
Approximate mass	19KG
Cooling method	Natural cooling
Power specifications	1PH 220V 50/60HZ
Grounding	Industrial grounding (dedicated grounding, resistance below 100Ω)
Input/Output signal	General signal: 16 input, 16 output
Position control method	Serial communication EtherCAT.TCP/IP
Memory capacity	JOB: 200000 steps, 10000 robot commands (total 200M)
LAN(Host link)	Ethercat(1pc) TCP/IP(1pc)
Control mode	Servo position control
Ambient temperature	In use: 0~ + 45°C, In storage: - 20~ + 60°C
Driver unit	AC servo system (4-axis)
Relative humidity	10%~90%(no condensing)
Vibrate	Below 0.5G

Serial port I/F

RS232/RS422/RS485(1pc) RS232(1pc) RJ45 Port(3pc)

Altitude

Below 1000m. Derate 1% for every additional 100m if over 1000m. Maximum 2000m.

Others

No dust, cutting fluid (including coolant), organic solvent, oil smoke, water, salt, medicine, anti-rust oil, strong microwave, ultraviolet light, X-ray, radiation exposure

Teach pendent specifications

External dimensions	280(width)*220(depth)*120(height)mm (with protrusions)
Gross weight	0.6KG
Material	Reinforced plastics
Display	8 inch color LED, 640*480 pixels
Protection class	IP54
Cable Length	Standard 6m. Optional: 8m, 10m, 15m

Manipulator

Selector, axis operation, value, mode selection with key (teach mode/auto mode/remote mode), emergency stop, enable, USB port etc



ATTENTION

Please read the user manual and relevant documentations before use.
 Contact official staff or distributor of MOKA if there are any errors, faults or if the robot is a harm to human safety.
 All data, drawings and specifications provided in this catalog are purely for information purposes and do not constitute a guarantee of these characteristics. The extent of goods delivered and services performed is determined by the subject matter of the specific contract. No liability accepted for errors or omissions.



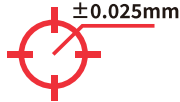
SPECIFICATIONS

TECHNICAL SPECIFICATION



25KG

Max payload



$\pm 0.025\text{mm}$

Repeatability

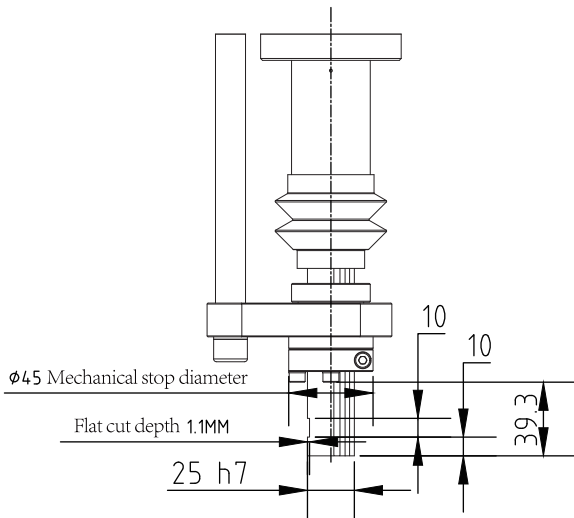
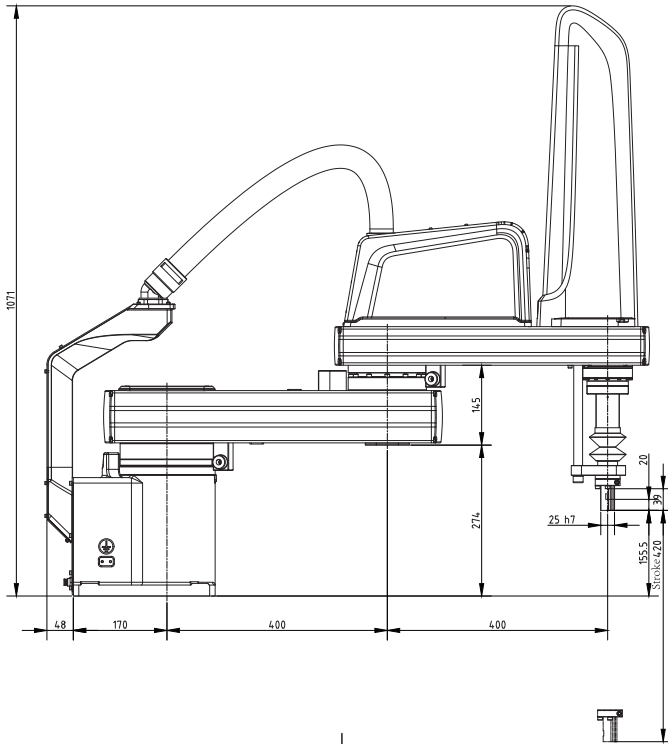
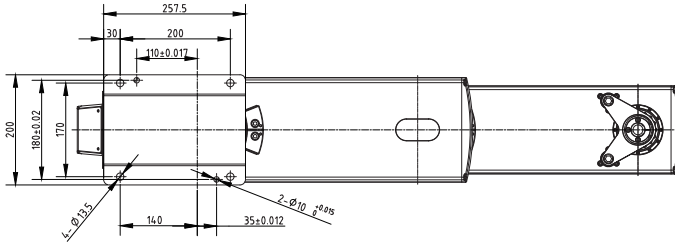


800mm

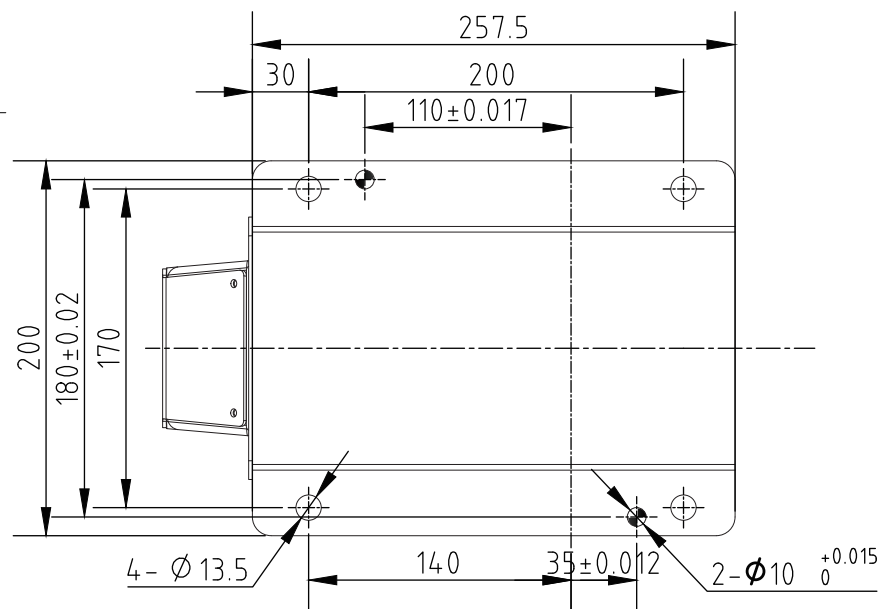
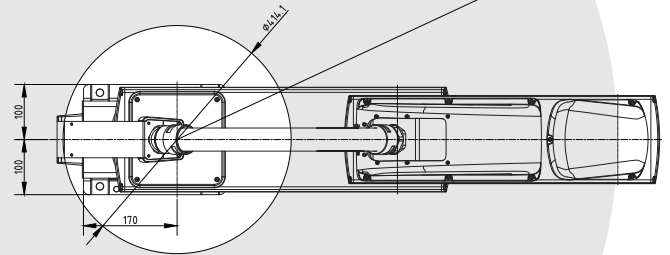
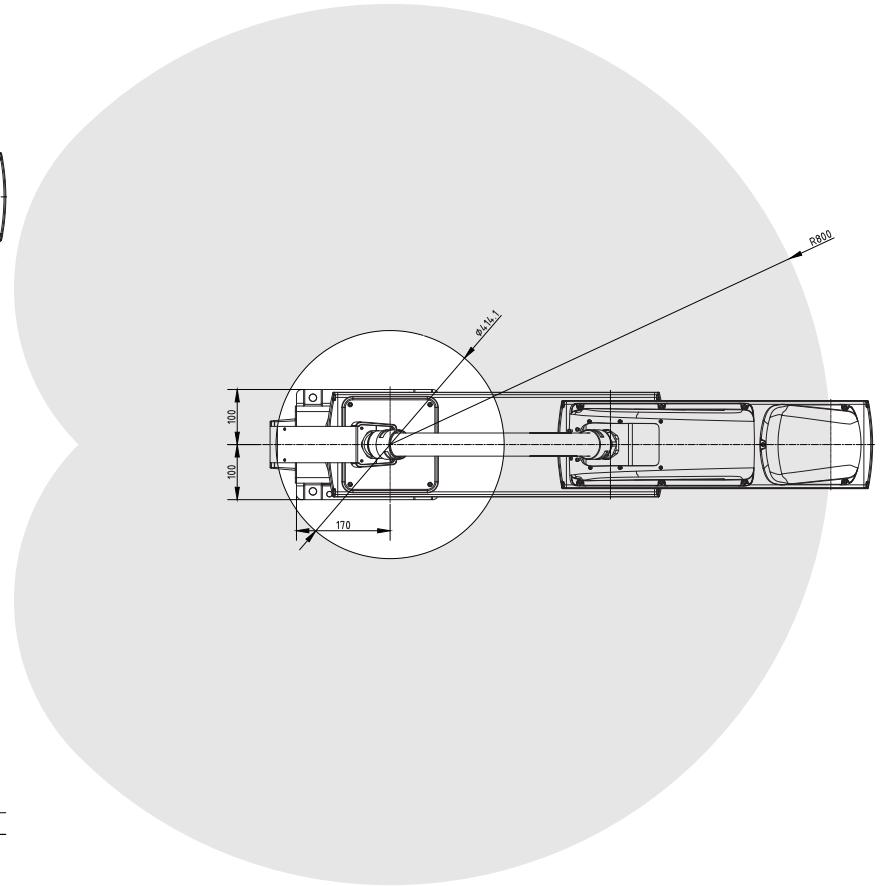
Moving range

External dimensions and moving range

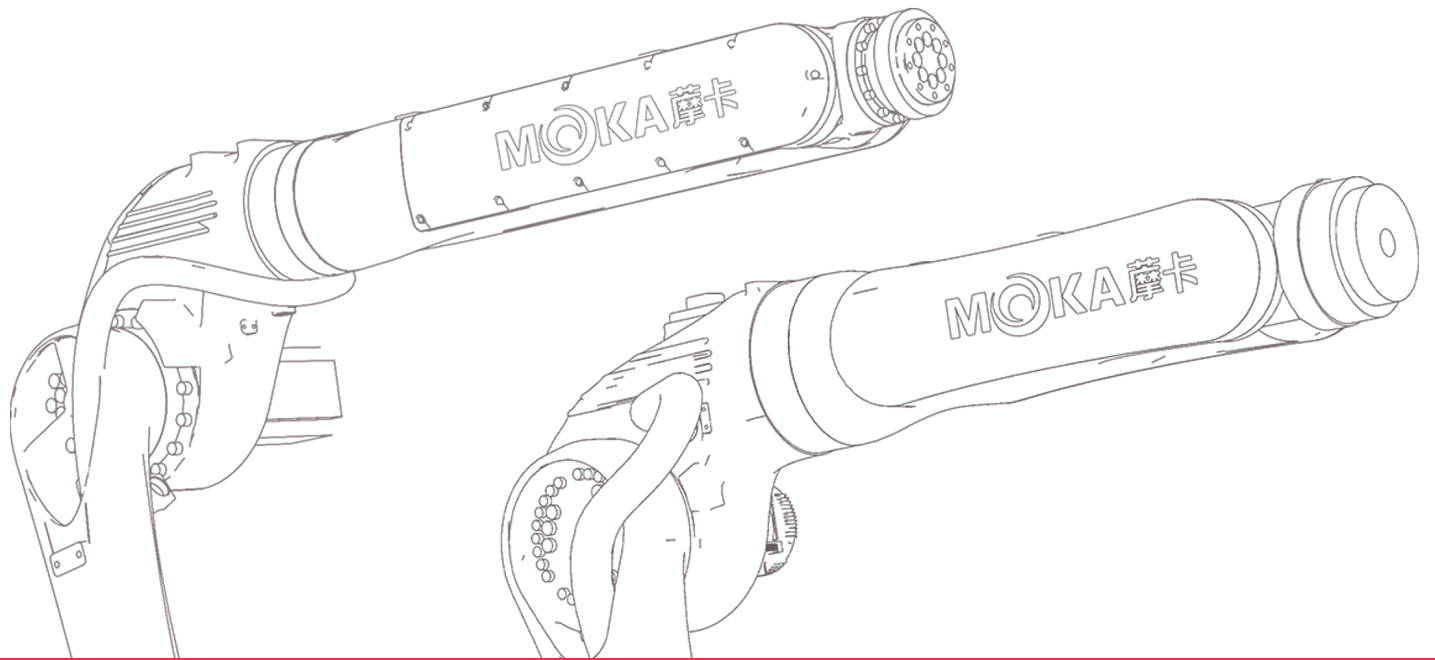
P moving range



End flange installation dimensions



Base installation dimensions



MOKA 摩卡

Committed to providing customers with
the most valuable products

WUHU MOKA ROBOT TECHNOLOGY CO., LTD

ADD: NO.19 WEISI ROAD, JIUJIANG DISTRICT, WUHU, ANHUI, CHINA

PHONE: +86-18262626857

WHATSAPP: +86-18262626857

EMAIL: thomas@mokarobot.com

WEBSITE: www.mokarobot.com